

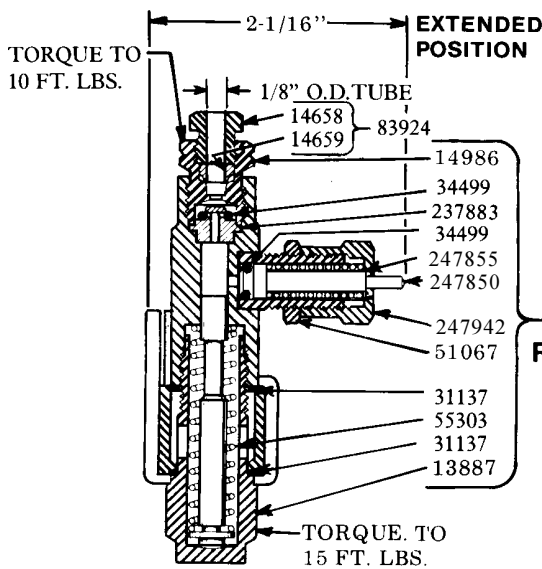
**SPECIFICATIONS**

OUTPUT:.....Adjustable from .001 cu. in. to .008 cu. in.  
OPERATING PRESSURE:.....1200 psi to 3500 psi  
†RECOMMENDED OPERATING PRESSURE:.....1500 psi  
RECHARGE PRESSURE:.....200 psi

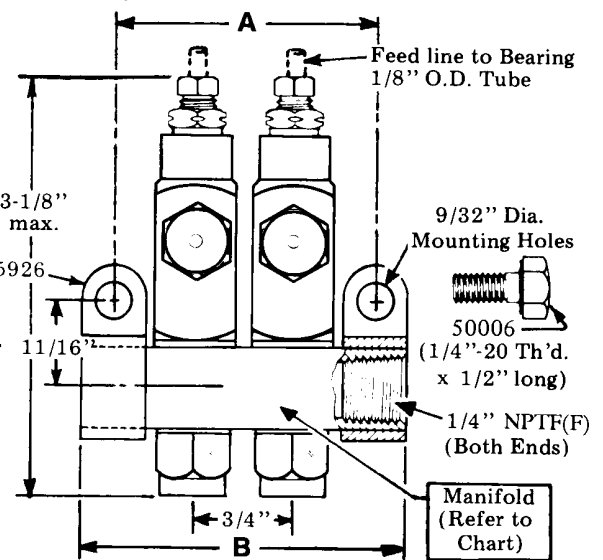
For dispensing oil or grease having a consistency not exceeding NLGI grade No. 2.  
May be used in a system with SL-1, SL-11, or SL-33 Injectors.  
† 2500 psi when used in combination with series SL-1 and/or SL-11 Injectors.

**MANIFOLD CHART**

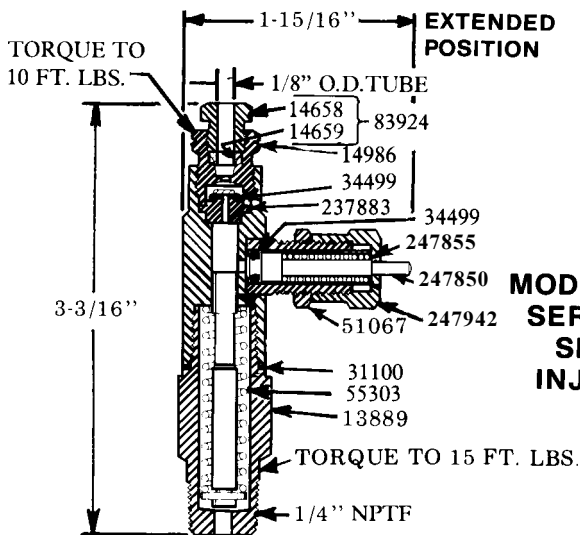
Model	Description	Dimensions		Manifold
		A	B	
83336-1	1 Unit	1-1/4"	1-3/4"	91883-1
83336-2	2 Unit	2"	2-1/2"	91884-1
83336-3	3 Unit	2-3/4"	3-1/4"	91885-1
83336-4	4 Unit	3-1/2"	4"	91886-1



**MODEL 83337**  
**SERIES "G"**  
**REPLACEMENT**  
**INJECTOR**



**Manifold**  
**(Refer to**  
**Chart)**



**MODEL 83338**  
**SERIES "G"**  
**SINGLE**  
**INJECTOR**

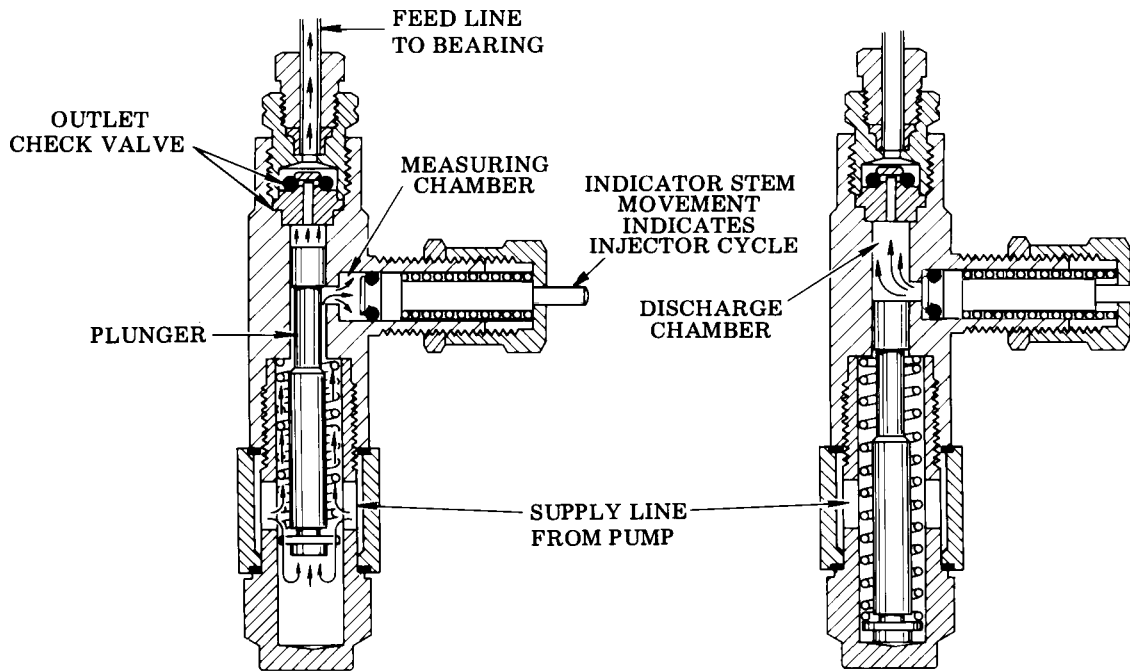
**NOTE:** Injectors from previous series can be improved with stenciled cap and single piece piston by use of 247951 upgrade kit.

**SERVICE PARTS**

Model	Qty.	Description
13887	1	Adapter
13889	1	Injector inlet
14658	1	Compression nut
14659	1	Ferrule
14986	1	Outlet body
+*31100	1	Gasket
+*31137	2	Gasket
+*34499	2	O-ring (Nitrile)
45926	2	Manifold clip
50006	2	Mounting screw
51067	1	Lock nut
+*55303	1	Spring
83924	1	Compression nut assembly
+*237883	1	Check seat
+ 247850	1	Piston
+*247855	1	Spring
+ 247942	1	Injector Cap

\* Included in 247958 Repair Kit

+ Included in 247951 Upgrade Kit



**OPERATION**

**SUPPLY LINE UNDER PRESSURE**

(Normal operating pressure 1500 psi)

Lubricant pressure moves plunger to force lubricant in the discharge chamber through the outlet check valve to the feed line.

Lubricant from supply line charges the measuring chamber.

**SUPPLY LINE VENTED**

(Vent pressure 200 psi maximum)

Plunger returns to normal position after supply line is vented, connecting measuring chamber to the discharge chamber. Flow from feed line is blocked by the outlet check valve.

Lubricant is automatically transferred from measuring chamber to discharge chamber.

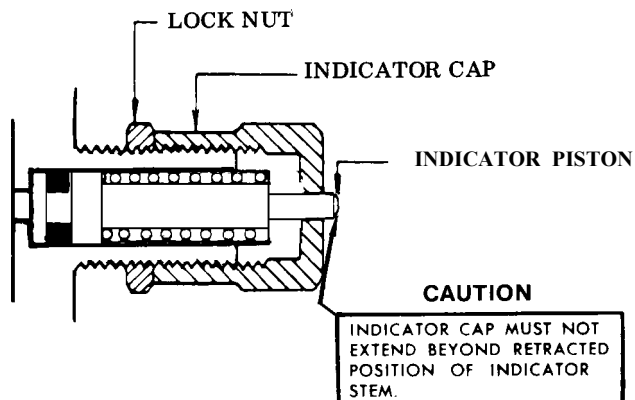
**INJECTOR ADJUSTMENT©**

Injector output is controlled by the position of the indicator cap which limits the travel of the indicator piston.

To achieve the advertised min. output setting (.001 cu. in.) hand tighten the indicator cap against its stop then loosen approx. 1/2 turn. NOTE: any output setting below 1/2 turn should be monitored to verify actual output volume.

Retracting the indicator cap five full turns from the hand tight position permits a max. output of .008 cu. in. to be dispensed. Use the graduations on the cap as an aid in setting the indicator.

When the injector has been adjusted for the proper lubricant output, the lock nut is tightened against the face of the indicator cap.



© Indicates change

**RETAIN THIS INFORMATION FOR FUTURE REFERENCE**

When ordering replacement parts, list: Part Number, Description, Model Number and Series Letter.  
 LINCOLN provides a Distributor Network that stocks equipment and replacement parts.